



Vamp uP

Vado Multimodal Platform Intermodal
Connection Optimization and Upgrading



VAMP UP project
*Innovation and automation of
the port rail last mile
in Vado Ligure.*

29 October 2020







AUTORITÀ PORTUALE DI SAVONA



Vamp uP

Vado Multimodal Platform Intermodal Connection Optimization and Upgrading





Torino
MED EU Corridor

Genova
RALP EU Corridor

Rail Last Mile

Parco Doria
Rail Network Junction

Vado Z.I. Station

Multipurpose
platform

Port of
Vado Ligure

VIO
Logistics Centre

ACTIVITIES

- 1 Construction of the connecting bridge
- 2 Intermodal Terminal optimisation
- 3 Railway Gate automation
- 4 Rail last mile improvement Study



AUTOMATION OF RAIL OPERATIONS

- ❑ Rail Last Mile computerised signalling system preliminary study
- ❑ Railway Gate Automation





RAIL GATE AUTOMATION

- Laser Measurement Systems (train shape and composition)
- HD cameras (container ISO and wagons UIC codes)
- Dialogue with PCS
- Operating instructions
- Customs procedures ready

Container 6 Original Image OCR Image

Code
TCLU9953228

Details



ISO Category:

Confidence: 45

Iso: 1

Length: 6108

Check:



Transits / Transit Details

Transit Data 176

Line: PGR015

Initial Direction: In

Final Direction:

Initial Speed: 285 m/s

Final Speed:

Start time: Oct 20, 2020 11:18:25


Duration: 00:01:48s

Type: **TRUCK**

Cars: 21

Notes:

Containers Recognized: - MSKU7250348 - MKRU6882220 - MKRU0823713 - MSKU6555551 - TCLU9953228 - SUDU7075844 - MSKU7257547 - MKRU6878171 - MKRU0207259 - MKU04182485 - MKRU4267419 - POU0047245 - SUDU7007121 - POU0020088 - SUDU0150288 - MSKU0819177 - MKRU0202187 - MKRU7288280 - MKRU6282373 - MKRU08729104 - MSKU7075802 - MKRU0502782 - SUDU7049480 - MSKU0716720 - MKRU0156274 - MKRU051587 - MKRU020959 - SUDU7432491 - SUDU7541993 - TLLU2283729 - MKRU0812084 - MKRU7246948 - HAGU7192229 - MKRU0840706 - SUDU7007441 - POU0020088 - MKRU0807992 - MKRU0702704 - TSHU0733764 - MKRU7737755 - MKRU0087780 - TLLU2283892



Transit begin

21 Cars Total	20/21 Cars Recognized	43 Total Containers	41/43 Containers Recognized
------------------	--------------------------	------------------------	--------------------------------

Containers Details

Car List

Laser Scans

Speed Estimation

Transit History

Car Details

Car 7 Original Image OCR Image



Code
31834556645-5

Details

Confidence: 43

Iso: 1

Check:

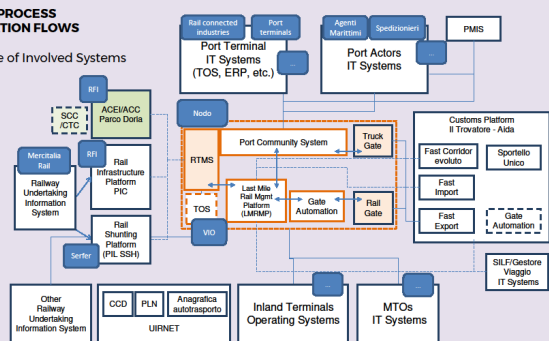




Vado Multimodal System Last Mile Connection Improvement Study

ANALYSIS ON PROCESS AND INFORMATION FLOWS

Logical Scheme of Involved Systems



DIGITIZATION AND INTEGRATION WITH THE SUPPLY CHAIN

- Rail Last Mile information flows and operational process analysis
- Rail Last Mile Management system
- E-Bridge CEF Project



Vamp uP

Vado Multimodal Platform Intermodal
Connection Optimization and Upgrading



Thank you
for your attention!

alberto.pozzobon@portsofgenoa.com

www.portsofgenoa.com

